

Audi Multi-media Integrator

Instruction Manual

(AUDI-08-REV15)



The product described herein has been tested Quality and Technical Supervision Bureau

Notes: Audi reserves all rights of Audi brand image to this manual

SUNE TECH ENTERPRISE COMPANY

No.9,Lane 606,Anping Rd.,Anping District,
Tainan City 70849 ,Taiwan, R.O.C
TEL:+886 6 2292246 FAX:+886 6 2292246
Mobile : +886955542096
Website:<http://www.sune-tech.com>

Product Instruction

Thank you for choosing an Audi Multi-media Integrator for your application. It is our duty to provide the marketplace with low cost, easy of installation & operation and high performance products. This instruction manual will guide you through the process of installing an Audi Multi-media Integrator and provide you with the information you need to install and operate the integrator. Please read this entire manual and familiarize yourself with its contents.

A Brief Description

New generation Audi Multi-media Integrator (MMC) use Germany Audi original communication protocol, embedded software and industrial standard integrated circuit technology to integrate more media functions, such as GPS, DVD system, Rear view system, Digital TV etc.

1. GPS

Based on original Audi multi-media interface (MMI) platform, GPS Navigation (Panasonic, Cityonmap, FROAD etc.) can be integrated. To ensure high-definition picture, RGB should be used as video signal.

With the MMC GPS can easy and safely be operated by the original Audi MMI platform, remote controller or touch screen.

2. DVD

Based on the original Audi MMI platform, DVD system (Panasonic, Sanyo etc.) can be integrated.

With the MMC DVD system can be operated by one button on the original Audi MMI platform. Chinese/English menu makes it easy and simple to use.

3. Rear View Camera

By rear view system the pictures on the monitor can automatically be switched to rear camera views when reversing

4. Other video inputs and outputs

The MMC can integrate signals from other video sources like digital TV and display it on the dashboard in the car and/or to some other monitors in the car (for example the monitor on the back seat of the car)

Specifications

Model	DVD	GPS
AUDI-MMC-V15A	Operated by single button on MMI	Operated by remote controller or touch screen
AUDI-MMC-V15B	Operated by single button on MMI	Operated by multi button on MMI
AUDI-MMC-V15C	Operated by single button on MMI	Operated by single button on MMI

Be applicable to Audi A6/A6L, A8, Q7.

CATALOG

- **Installation**
 - **General figure – system connections**
 - **Standard Configuration**
 - **Optional Accessories**
 - **Account for Controller Connections**
 - **Setup Switches**
 - **Electrical Connections**
 - **GPS Connections**
 - **DVD Connections**
 - **CVBS Inputs Connections**
 - **CVBS Outputs Connections**

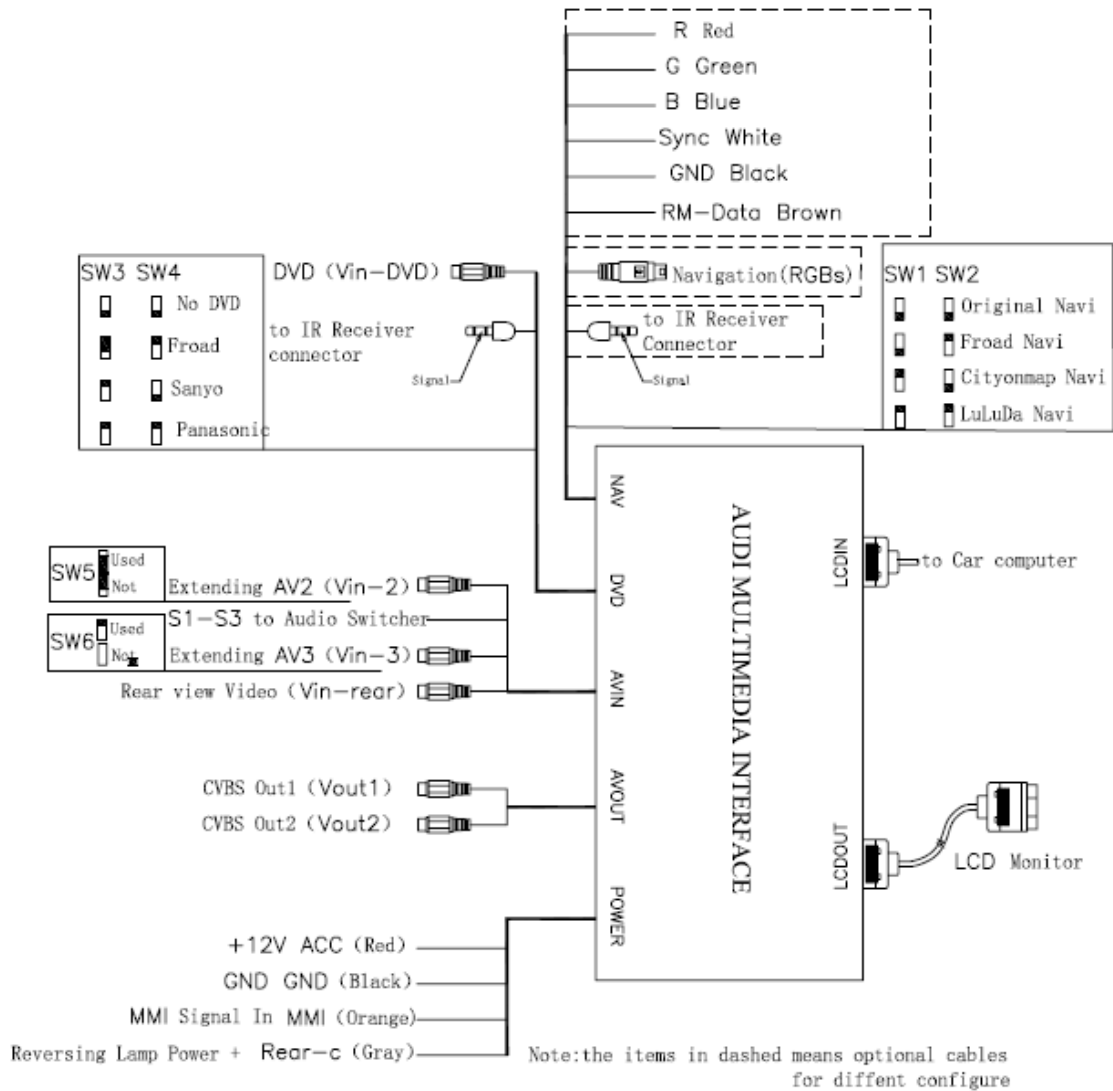
- **Operation**
 - **Multi-media Function Switches**
 - **Operation of DVD**
 - **Automatically rear camera views system**
 - **Operation of GPS**

SUNE TECH ENTERPRISE COMPANY

No.9,Lane 606,Anping Rd.,Anping District,
Tainan City 70849 ,Taiwan, R.O.C
TEL:+886 6 2292246 FAX:+886 6 2292246
Mobile : +886955542096
Website:<http://www.sune-tech.com>

Multi-media Integrator

General figure – system connection



Standard Configuration

Classification	Name	Qty	Description
Controller	Multi-media Integrator (MMC)	1	Germany original technology, MMI control, Chinese/English interface
Cable	AUDI Monitor Special Cable	1	Connect controller to original monitor
	Power Cable	1	Power Input MMI Signal Input Reverse control signal input
	Extended Video Input Cable	1	Vin-2、Vin-3 video input Rear view video input Control for audio Switch
	Expending Video Output Cable	1	2 ways video output (Vout-1、Vout-2)
	DVD Cable	1	Connect to Panasonic DVD or other DVD Player. For example, please use "SANYO DVD extended cable" for SANYO DVD Player
	General RGB GPS Cable	1	GPS with RGB output Cable
Manual	Chinese/English Installation Manual	1	Chinese/English Installation and Operation Manual
Mounting Accessories	3M Glue Paste	1	For pasting integrator

Optional Accessories

Classification	Item	Qty	Description
Special Cable	SANYO DVD extending Cable	1	For connecting "SANYO DVD Player".
	Special Panasonic GPS Cable	1	For connecting "Panasonic GPS" system.
	Special RGB GPS Cable	1	Cables for connecting GPS of brands, has to be ordered in advance
	Rear View Camera Cable	1	Cable and power box to connect rear view camera

Account for Controller Connections



1. LED Indicator

Sync: video signal synchronization indicator

PWR: system power indicator

2. DIP SW

Used for setup different DVD, GPS, extended video input Vin-2、 Vin-3

3. NAVI

GPS, such as Panasonic, cityonmap and FROAD etc, can be connected. Other GPS brands can be connected by special cable and updated software. (the embedded software should be updated as customers' requirement.)

Video signal with RGB input

GPS is operated by original MMI。

4. DVD

Panasonic, Sanyo and single DVD player.

Use CVBS (Vin-DVD/Vin-1).

DVD player is operated by original MMI.

5. CVBS (IN)

Rear view video input, extended Vin-2、 Vin-3 video input。

Extended video can be used for digital TV.

6. CVBS (OUT)

2 CVBS output (. It) can be connected to (some) other monitors.

7. POWER

Connecting to power, reverse control signal, MMI input etc.

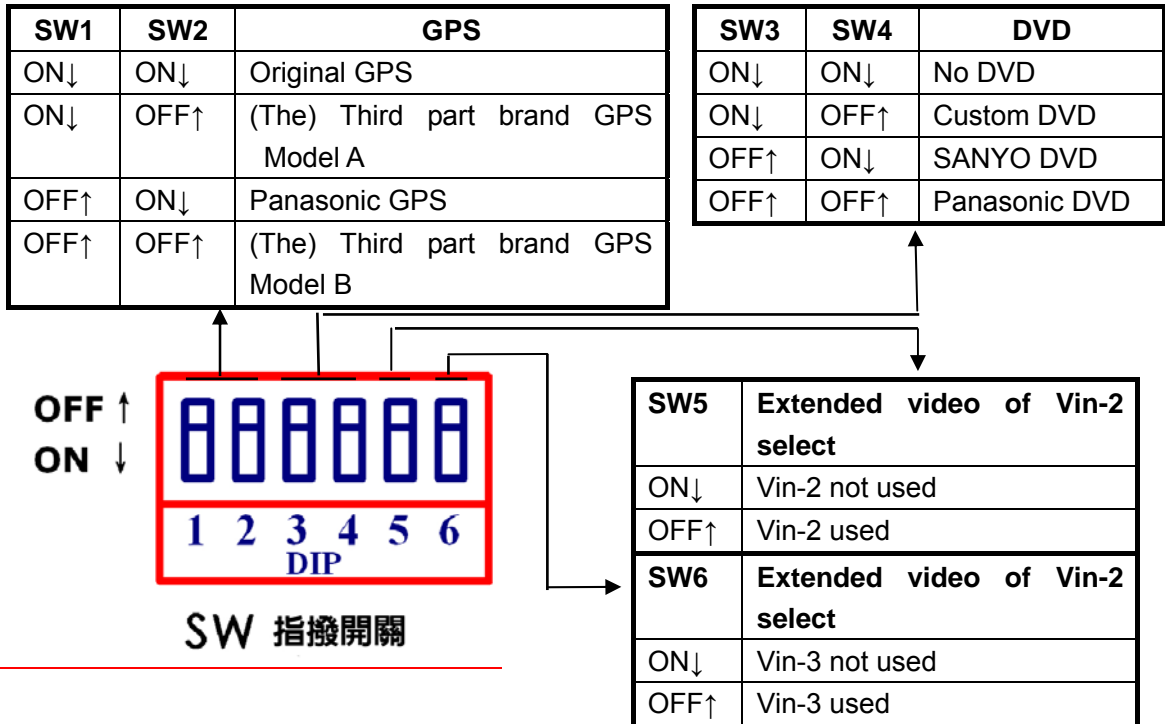
8. LCD-IN

Connecting to original car computer.

9. LCD-OUT

Connecting to original monitor

Set Switches



Notes

- Careful attention should be paid to power off when setting switches on the position “on” or “off” according to equipment configuration

GPS (SW1、SW2)

- Set SW1 and SW2 to “on” if the car has original GPS already.
- Other GPS like Panasonic can be operated by the original Audi MMI platform or remote controller. Please choose SW1 and SW2 according to different brands,
- Accepts most of the GPS brands with RGB (s) outputs

DVD (SW3、SW4)

- DVD player such as Panasonic, Sanyo and single DVD player should be connected reliably.
- Set different DVD players according (to) the above table.
- DVD system can be easily operated by the original Audi MMI platform
- DVD video is incorporated in(to) the system with Vin-DVD on DVD connector.

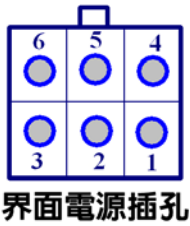
“Extended video inputs Vin-2” (SW5)

- Set SW5 (as) OFF if connecting to video equipment to Vin-2 video input connector. If not, set SW5 (as) ON.

“Extended video inputs Vin-3”SW6)

- Set SW6 (as) OFF if connecting to video equipment to Vin-2 video input connector. If not, set SW6 (as) ON.

Electrical Connections



Position	Items	Cable color	Function
1	GND	Black	Power input
2	MMI	Orange	MMI signal input
3	Not applicable		
4	Not applicable		
5	ACC	Red	12V ACC power input +
6	Rear_c	Grey	Reverse controlling signal 12V+

Notice

- Careful attention should be paid to power off when connecting cables (Be sure the auto key is not plugged)
- Cables have to be carefully mounted and the connectors well insulated to ensure good connections.
- No electrical consumption when car is powered off.

Power for Integrator

- Red "ACC" cable, connecting to auto key power ACC "+".
- Black "GND" cable, connecting to auto power system "-".

MMI Signal Inputs

- Orange cable connecting to the signal of original MMI platform digital output cable.
- Careful attention should be paid to connection to avoid any mistake and bad contact.

Rear View System Operating Cable

- Gray cable connected to "+" on reverse lamp. The monitor shows the pictures from original parking sensor system or rear view camera.
- The monitor will show the pictures from original parking sensor system if rear view system is not mounted. And the monitor will show the pictures from rear view camera if rear view system is mounted.

GPS Connector

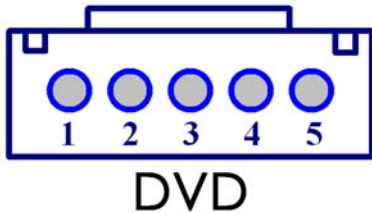


Position	Outlet	Function
1	GPS-R	Operating cable GPS RGB signal inputs
2	SGND	
3	SYNC	
4	Blue	
5	Green	
6	Red	

GPS

- System supports GPS's such as Panasonic, Cityonmap or other bands. It can support operation directly by MMI or remote controller.
- Set switches for "SW1、SW2" according to the different GPS's
- Other brand's GPS can be connected by special cable and updated software in the MMC. Please contact seller or agent.
- Please use special cable provided by us for mounting GPS.

DVD Connector



Position	Outlet	Cable	Function
1	Vin-DVD	RCA(female) connector	DVD AV input
2	SGND		
3	RM-DVD	DC35 connector (earphone male)	DVD operating cable
4	Not Applicable		
5	Not Applicable		

DVD Selection

- DVD player such as Panasonic, Sanyo and a customized DVD player should be connected reliably.
DVD player can be operated by MMI or remote controller
- Set switches for "SW3, SW4" according to different DVD player
- For operating other DVD systems via original Audi MMI please contact seller.
- DVD video should be connected to the Vin-DVD on DVD connector.

CVBS



Position	Outlet	Cable color and definition	Function
1	Vin-2	RCA(female)	Extended video input 2#
2	SGND	connector Vin-2	
3	Not Applicable		
4	S1	Orange	“DVD (Vin-1) ”Audio switch controller
5	S2	White	“DVD (Vin-2) ”Audio switch controller
6	S3	Brown	“DVD (Vin-3) ” Audio Switch controller
7	SGND	RCA(female)	Extended video input 3#
8	Vin-3	connector Vin-3	
9	SGND	RCA(female)	Camera video input
10	Vin-rear	connector Vin-rear	

Install Rear View System

- “Rear view camera video” can be integrated by “Vin-rear” if installing rear view system.
- Automatically switch to rear camera views when reversing, gray cable “Rear-C” should be connected to “+” power of rear lamp.

Install Other Composite Video System

- Except RGB(for GPS) input, DVD video input and rear view camera video input, the two additional composite video input (Vin-2, Vin-3) can be used for digital TV and so on.

Audio Switch Controller

- S1、S2、S3 can be used for controlling “Audio Switch”. Please see “Guide for installing Audio Switch ” for the details.
- Orange S1 cable connect to “V1 IN” on Audio Switch.
- White S2 cable connect to “V2 IN” on Audio Switch.
- Brown S3 cable connect to “V3 IN” on Audio Switch
- Please bind up the cables by insulating tape if not in use.

CVBS



Position	Outlet	Cable	Function
1	SGND	RCA(female) connector Vout-1	Video output 1#
2	Vout-1		
3	SGND	RCA(female) connector Vout-2	Video output 2#
4	Vout-2		
6	Not Applicable		
7	Not Applicable		

Mounting Some Other Monitors

The system has two extended composite video outputs, and the output signals are standard composite video signal. It can be connected to other monitors such as monitors in the back seat of the car.

- When image of GPS is displayed on the front LCD, image of DVD can be displayed on other monitors at the same time.

SUNE TECH ENTERPRISE COMPANY

No.9,Lane 606,Anping Rd.,Anping District,
Tainan City 70849 ,Taiwan, R.O.C
TEL:+886 6 2292246 FAX:+886 6 2292246
Mobile : +886955542096
Website:<http://www.sune-tech.com>

OPERATION

Mode Changer

Key name: NAV

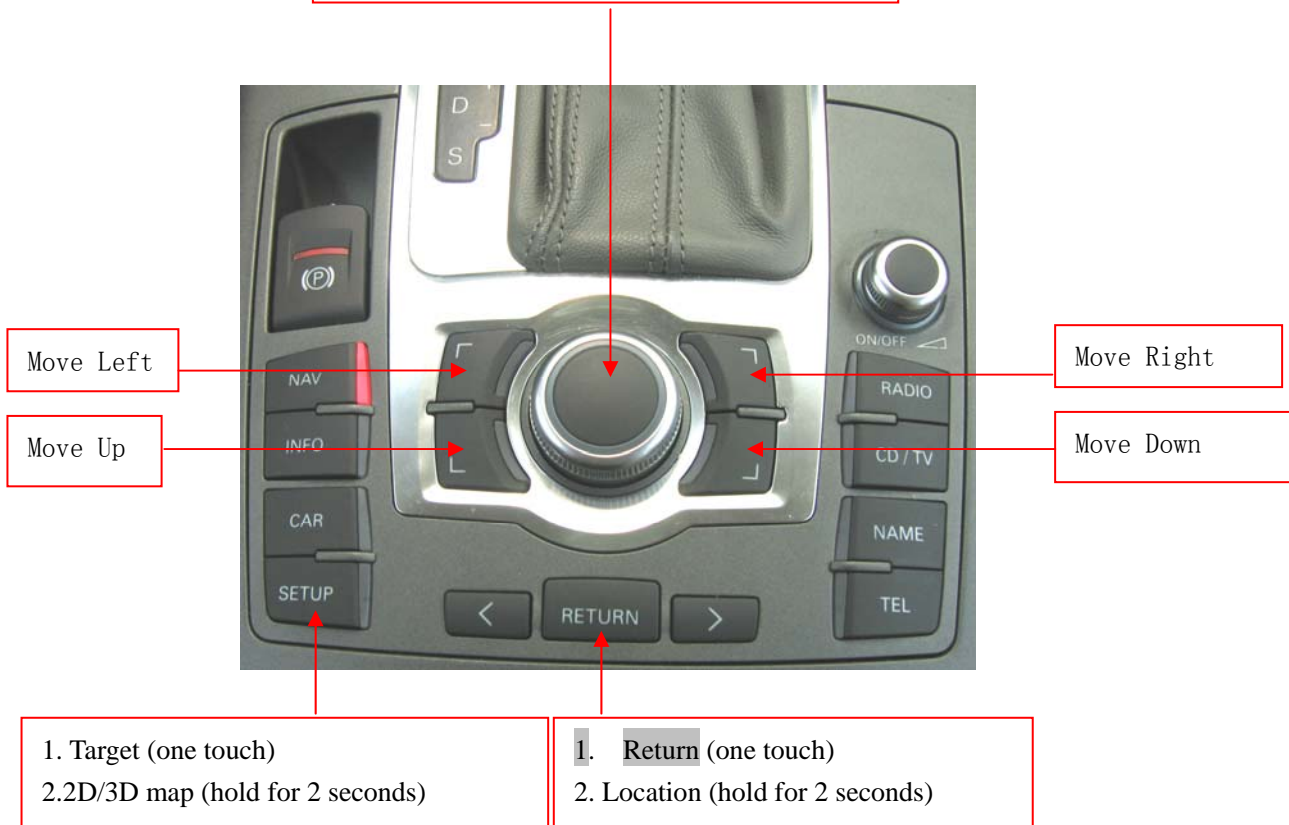
1. One click of this key selects one image of Car computer, GPS navigation and DVD to display in turn.
2. When the image of Car computer is displayed, no all key definitions are changed.
3. Refer to the related Users Guide about the operation of GPS navigation and DVD player.



Panasonic GPS navigation and some other brand's GPS navigation are supported. The detailed function/operation of GPS navigations is described in the related Users Guide.

The definition of MMI keys is described as following:

1. Enter(Push)
2. Zoom in/out(Turn left/right)



DVD Operation

Panasonic multi-disc DVD player, Sanyo multi-disc DVD player and a customized DVD player are supported, depending on the choice of users.

When MMI round button is turn left/right in DVD mode, the common DVD function menu is displayed. The common DVD function includes Power, Play/Pause, Disc Up, Disc Down, Pre, Next, FF, FR, Audio, etc. Please refer to the user's guide of the DVD installed about the detailed function description. The Menu Language can be simple Chinese or English.

The turning left/right of MMI round button cause the cursor bar move among the DVD menu items, and pushing it to enter the function.

1. Move the cursor bar among menu items (turn left/right)
2. Enters the function (push)



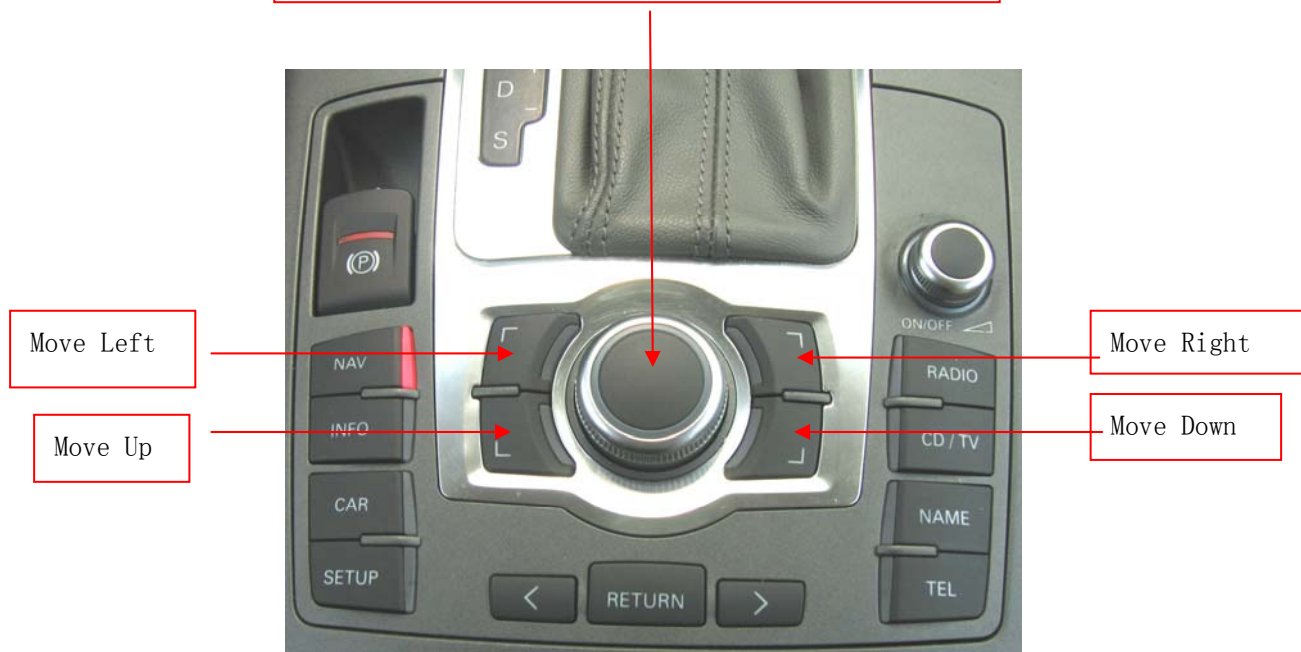
Panasonic Menu	Sanyo Manu	A customized DVD Menu
Play	Power	Power
Pause	Play	Play/Pause
Stop	Stop	Stop
Disc Up	Disc Up	Prev
Disc Down	Disc Down	Next
Prev	Prev	FF
Next	Next	FR
Audio	FF	Audio
PAL/NTSC	FR	Menu
Menu/Title	Audio	Title

Subtitle Setup	Menu Title Subtitle Setup	Subtitle Setup
<p>Note:</p> <ol style="list-style-type: none"> 1. If Panasonic DVD is installed, PAL/NTSC function is active only when the related item is selected and MMI should be pushed and held for over 6 seconds. 2. Regarding the definition of Menu, Title, Subtitle and Setup, please refer to the related Users Guide. The definition of keys is described as following: 		

SUNE TECH ENTERPRISE COMPANY

No.9,Lane 606,Anping Rd.,Anping District,
Tainan City 70849 ,Taiwan, R.O.C
TEL:+886 6 2292246 FAX:+886 6 2292246
Mobile : +886955542096
Website:<http://www.sune-tech.com>

Push the round button to enter the DVD function items.
(Be valid only when DVD menu disappeared.)



Automatic Rear View System

- When reversing, Rear View system is active automatically.
- If Rear View system is installed, the image of rear view camera will be displayed on monitor. If not, the image of parking sensor system will be displayed.

SUNE TECH ENTERPRISE COMPANY

No.9,Lane 606,Anping Rd.,Anping District,
Tainan City 70849 ,Taiwan, R.O.C
TEL:+886 6 2292246 FAX:+886 6 2292246
Mobile : +886955542096
Website:<http://www.sune-tech.com>